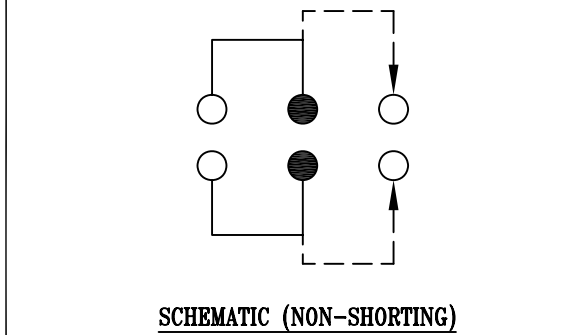
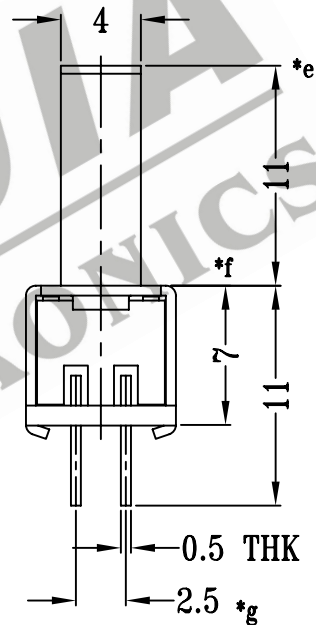
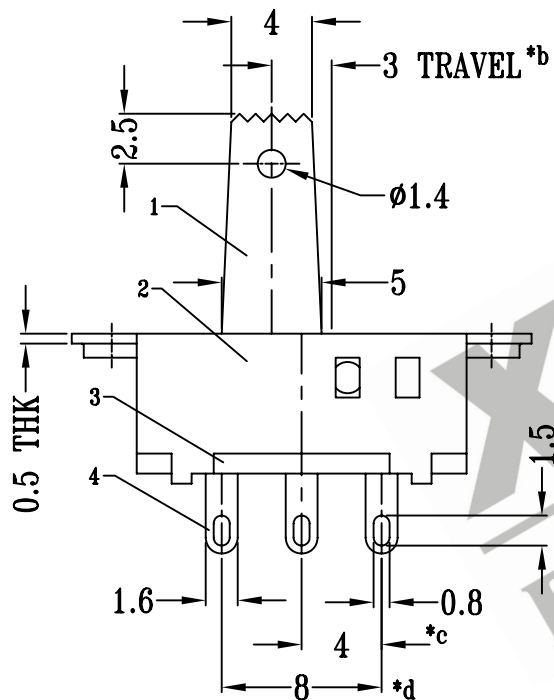
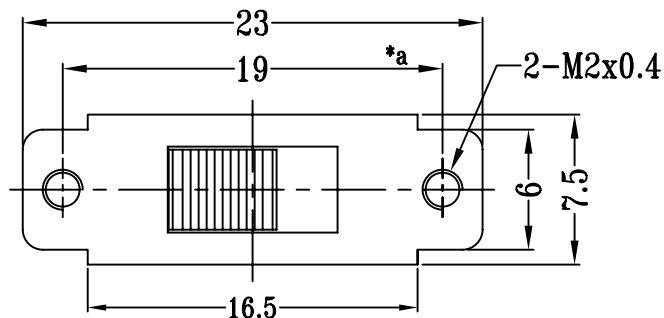
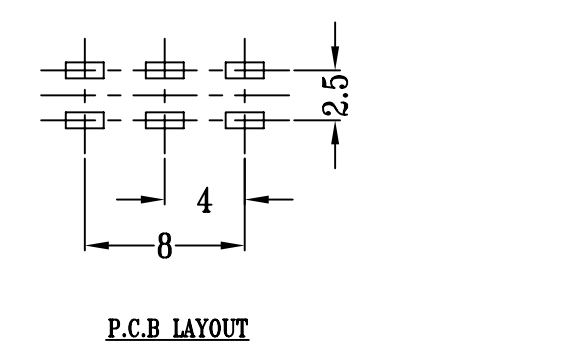


CAD FILE:



SCHEMATIC (NON-SHORTING)



P.C.B LAYOUT

注:带*表示关键尺寸(7个)

8					TOLERANCE	SHENZHEN XIEJIA ELECTRONICS CO.,LTD.				
7	CONTACT CLIP	PBS C5210R-EF	2	Ag CLAD	UNLESS SPECIFIED					
6	SPRING	STEEL WIRE	1	TEMPER	WITHIN: 1.5±0.1mm					
5	STEEL BALL	STEEL	1	NATURAL	OVER : 1.5±0.2mm	ISSUE	DATE	DESCRIPTIONS		
4	TERMINAL	BRASS STRIP	6	Ag PLATED OVER Ni PLATED	TITLE : VERTICAL SLIDE SWITCH		UNIT : MM	DRWG NO.: XJ-DR-SS22F59-00		
3	BASE	PHENOLIC RESIN	1	NATURAL	MODEL: SS-22F59		SCALE: 5 : 2	DWN.	ZHOUYU	2004-8-10
2	FRAME	STEEL STRIP	1	BLACK/Ni PLATED	ALL MATERIALS MUST BE COMPLIANT TO ROHS			CHK'D	FANGYING	2004-8-10
1	KNOB	POM/NYLON+F.G+94V0 (FR-50)	1	BLACK				APPD.	KANGXINAN	2004-8-10
NO.	PART NAME	MATERIAL	Q'TY	FINISHING						